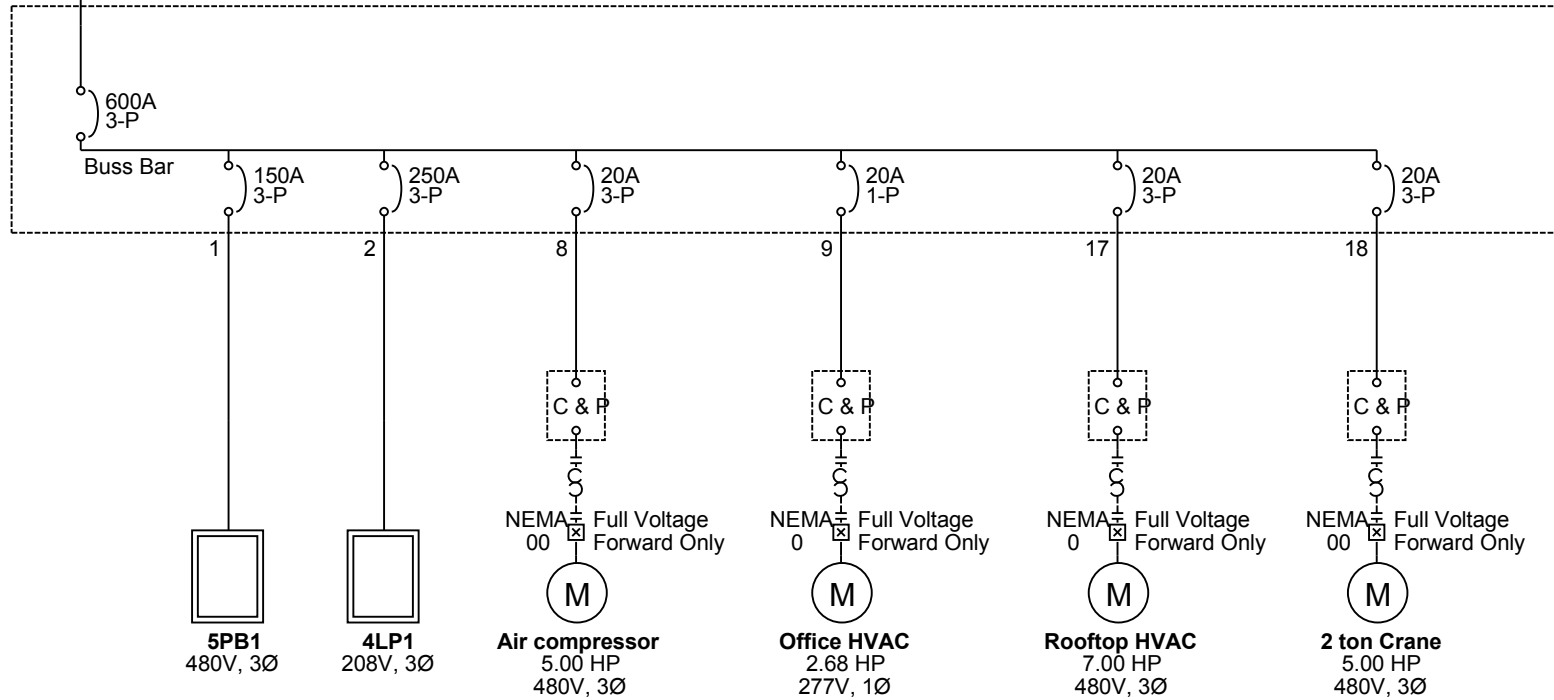


From: MSWB
Circuit #7

4PB1 One-Line Riser Diagram
600A Main Buss
480V - 120V 3-Phase



Project Name: WH Energy			
Drawing Title: 4PB1 One Line Riser Diagram			
Dolphins Software 10021 Prairie Dunes Way Sacramento, CA 95829 (916) 681-0513	Date: Monday, Jul. 03, 2006	Scale: None	Drawing Number:
	Project Number:	Drawn By: Dan Laws	