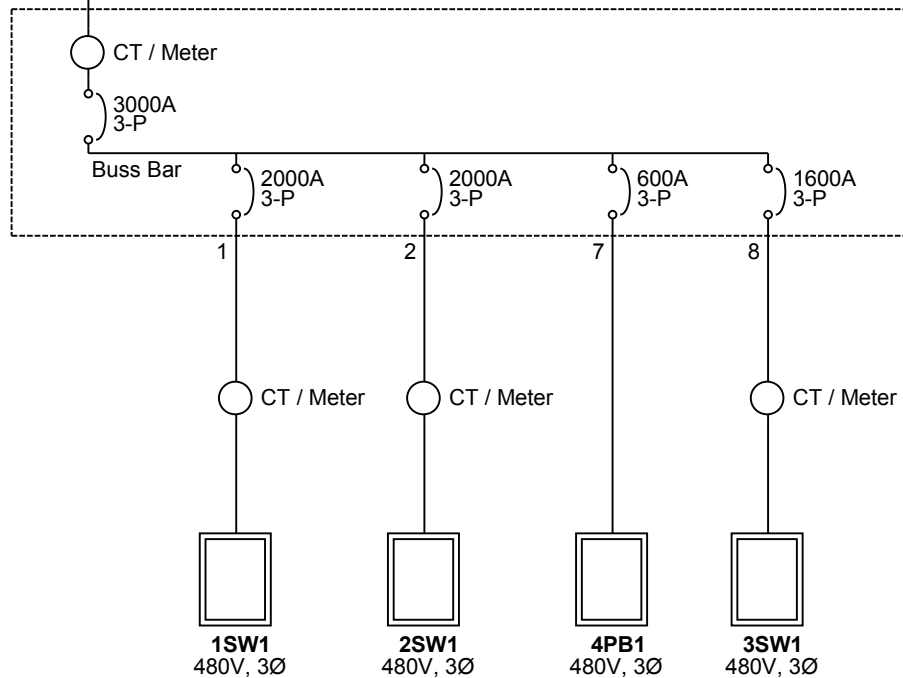


Utility Company
Transformer

Y
X
2,500 kVA XMFR
35V Y PRI
480V / 277V Y SEC
52 kAIC
z = 0.8%

MSWB One-Line Riser Diagram

3000A Main Bus
480V - 120V 3-Phase



Project Name: WH Energy			
Drawing Title: MSWB One Line Riser Diagram			
Dolphins Software 10021 Prairie Dunes Way Sacramento, CA 95829 (916) 681-0513	Date: Monday, Jul. 03, 2006	Scale: None	Drawing Number:
	Project Number:	Drawn By: Dan Laws	